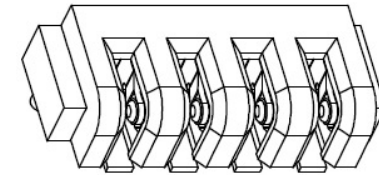
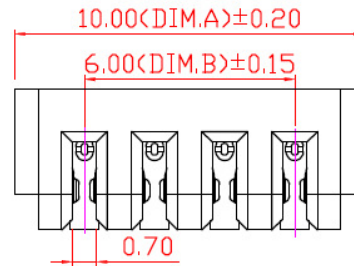
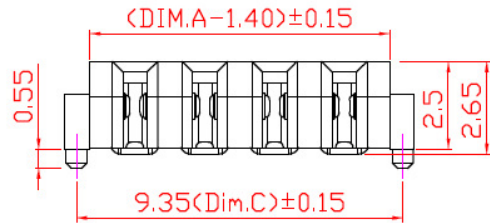
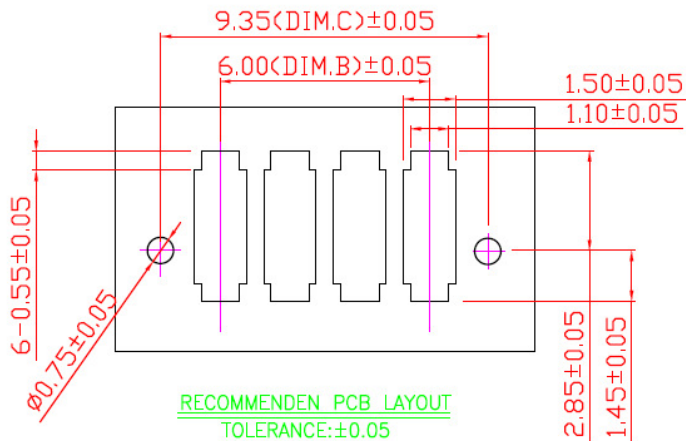
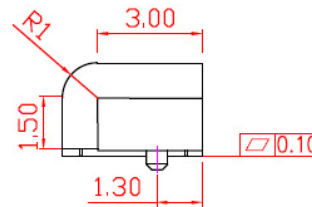
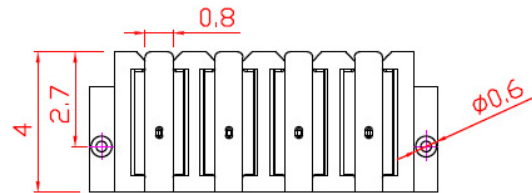


REV.	ECN NO.	DESCRIPTION	DESIGN	DATE
A		INITIAL	Kai	2018.03.29



3D VIEW



RECOMMENDE PCB LAYOUT  
TOLERANCE: ±0.05

NOTE:

Material

Insulator: Nylon 9T(UL94V-0)

Contact: phosphor Bronze

Contact Plated: Gold over Nickel or Tin

Specification

Current rating: 3A 5A

instant CURRENT: 7A

Contact Resistance: 30MΩ

Insulation Resistance: 100MΩ

Dielectric Voltage: 500V

Operating Temperature: -40°~105°

TABLE:

PIN/NO.	Dim.A	Dim.B	Dim.C
2Pin	6.00	2.00	5.35
3Pin	8.00	4.00	7.35
4Pin	10.00	6.00	9.35
5Pin	12.00	8.00	11.35
6Pin	14.00	10.00	13.35
7Pin	16.00	12.00	15.35
8Pin	18.00	14.00	17.35

UNLESS OTHERWISE SPECIFIED TOLERANCES

东莞市高迪电子有限公司

DECIMALS:		ANGLES:	
DIM	TOL	DIM	TOL
X	±0.50	X	±2°
X.X	±0.30	X.X	±1°
X.XX	±0.20	X.XX	±1'
X.XXX	±0.10	X.XXX	---

DWG NO.	
DESIGN:	
CHECK:	
APPROVED	

PART NAME:	
PART NO.	
REV. A	UNIT: mm
SHEET: 1/1	

ITEM	PART NAME	Q'TY	MATERIAL	DESCRIPTION	REMARK
②	HOUSING	1	LCP		BLACK
①	CONTACT A	2	PHOSPHOR BRONZE 0.20T	Au PLATED	